

FALCON SUBROSA® WALL WASHER

WAC ARCHITECTURAL

W Track Luminaires

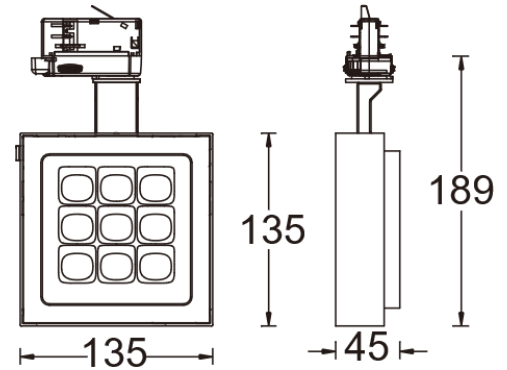
Project Name:

Type:

Product Image



Line Drawing



Product Description

FALCON SUBROSA® Wall Washer Series (hereinafter referred to as WW) LED track spotlights, suitable for W three-circuit track, are slim and three-dimensional in structure, and provide precise wall washer light distribution effect through WAC's elaborate optical design. With built-in high-quality LED constant current electrical appliances and advanced wireless dimming control, the fixtures are widely used in museums, art galleries, science and technology centers and other venues.

Product Features

- **Body Material:** Aluminum Die-Cast Lamp Body, PC Optics
- **Optical System:** Dual Lens + SUBROSA® Reflector
- **Finish:** Electrostatic Powder Coating, Black (BK), White (WT)
- **Angle Adjustment:** Horizontal 0°~365° adjustment; Vertical 0~90° adjustment
- **Accessories:** Up to additional anti-glare accessories;
- **Certification:** CCC
- **IP Rating:** IP20
- **Insulation Class:** Class I
- **Operating Temperature:** -20°C~40°C

Product Specifications

- **LED Type:** HP LED
- **Source Power:** 18W or 27W optional
- **Source Lm:** 3000K: 1575lm(18W) / 2125lm(27W)
4000K: 1665lm(18W) / 2245lm(27W)
- **LED Lifetime:** >50000h-L70 / B10-Ta25°C(LM-80/TM-21)
- **CCT/CRI:** 3000K / 4000K; Ra90 or Ra97 optional
- **SDCM:** 3 SDCM
- **Input:** 220~240VAC / 50Hz
- **Dimming:** Knob Dimming(range 10~100%), Wireless Dimming(WAC system is required), DALI, 0-10V dimming (must do matching test with project site in advance)
- **Net Weight:** Approx. 0.9Kg, without packaging

Order Model

Model	LED	Dimming	Beam	CRI	CCT	Finish
ATL66W		O On-boarding				
FALCON	LD18 LED 18W	D 0-10V	C SUBROSA®	9 90	30 3000K	WT White
SQUARE	LD27 LED 27W	B Wireless	Wall Washer	A 97	40 4000K	BK Black
WW		A DALI				
ATL66W	LD18	O	C	9	30	WT

Exmample: ATL66WLD18-OC930WT

WAC Lighting
www.waclighting.com (US)
www.waclighting.net (International)

Headquarters
44 Harbor Park Drive • Port Washington, NY
Phone (516) 515.5000 • Fax (516) 515.5050

WAC GROUP
TECHNOLOGY ILLUMINATED

FALCON SUBROSA® WALL WASHER

WAC ARCHITECTURAL

W Track Luminaires

Project Name:

Type:

Accessory

ALENS-ATL66W-SUBROSA
Hidden Light Projection Module

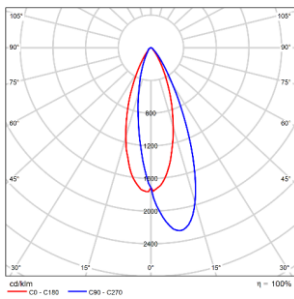


ALENS-ATL66-BD
Four-leaf Blindfold



Note: Please refer to the instruction manual for installation of the hidden light projection module.

Light Curve Distribution @3000K Data



MODEL: ATL66WLD18-OC930

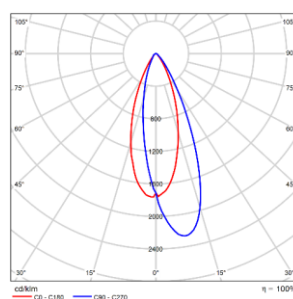
BEAM ANGLE: Wall Washer

POWER: 21W

LUMENS: 1172lm

CBCP: /

EFFICACY: 56lm/W



MODEL: ATL66WLD27-OC930

BEAM ANGLE: Wall Washer

POWER: 31W

LUMENS: 1641lm

CBCP: /

EFFICACY: 53lm/W